

Startracker

aka

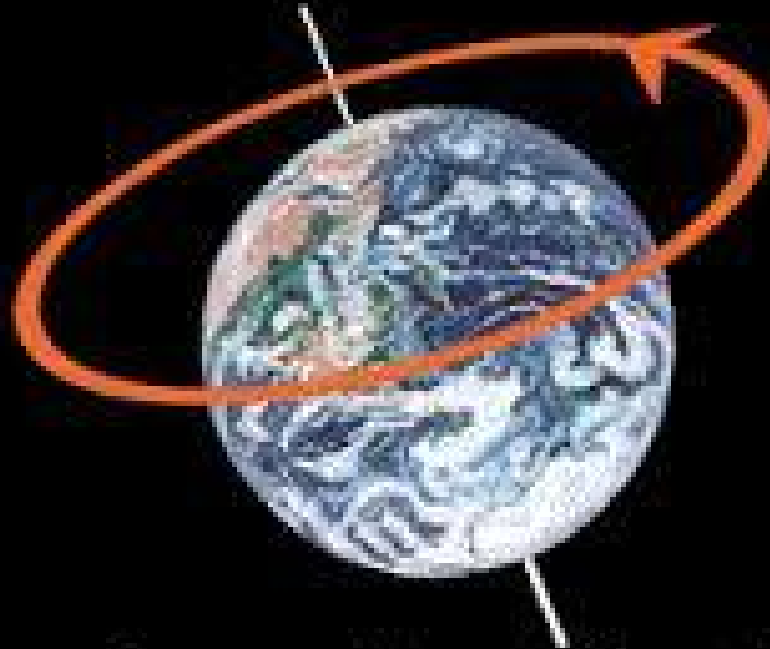
Printing copypasta from the internet

THE ROTATION OF THE EARTH



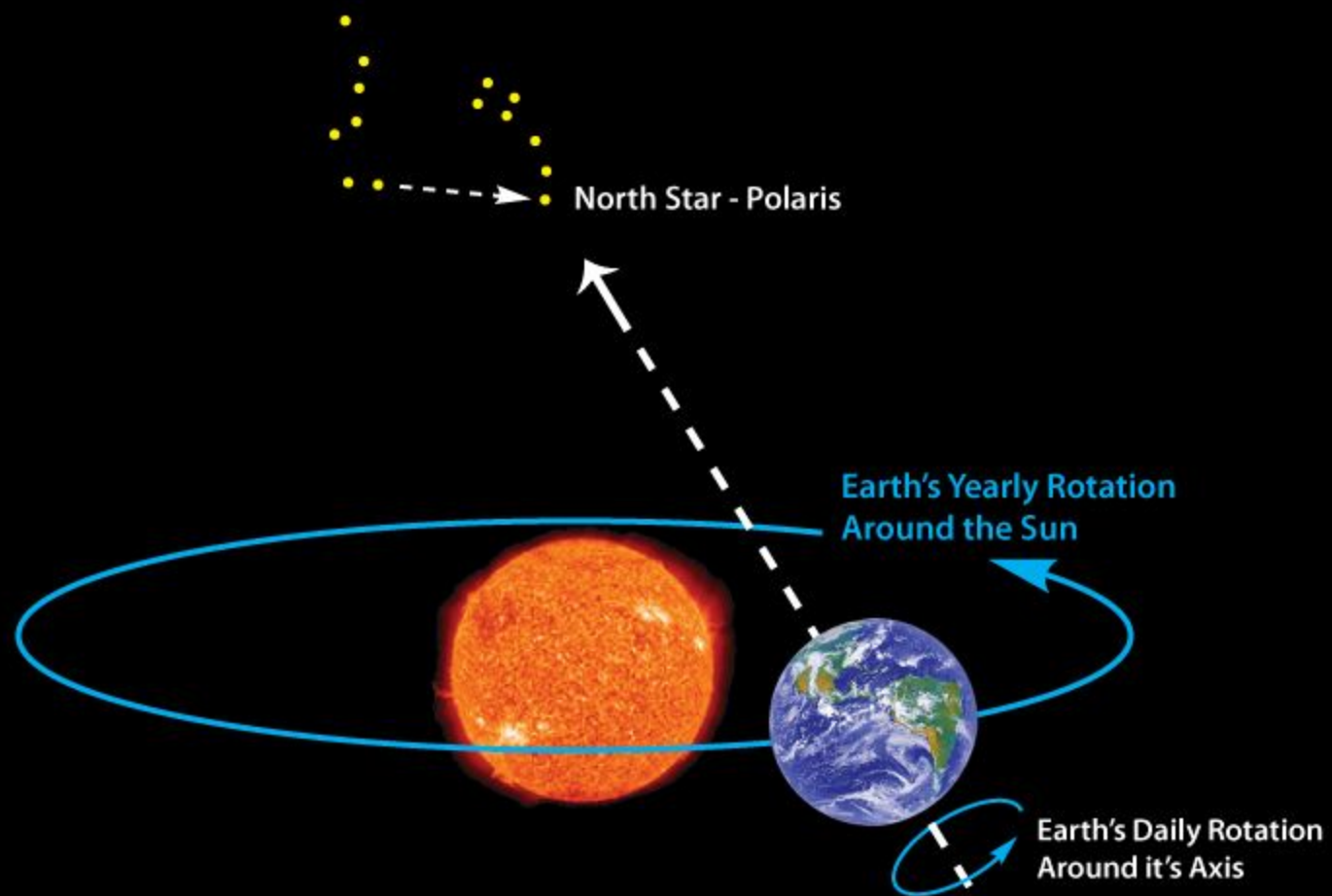
REALLY MAKES MY DAY

Earth Rotates on its axis.



One complete rotation takes
23 hr 56 min 4.1 sec.

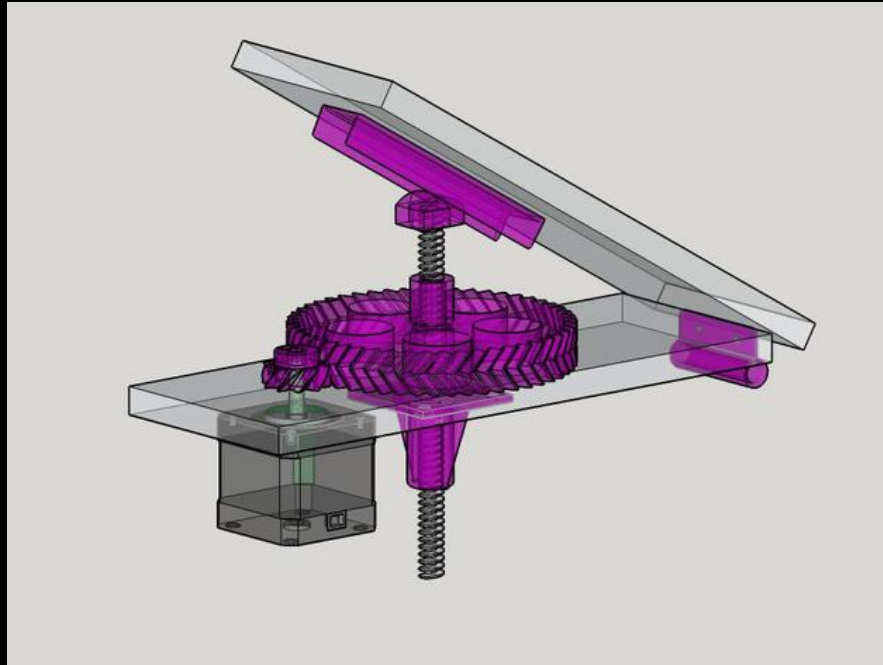
=1436 minutes





To the internet!!

<https://www.thingiverse.com/thing:974906>





Ingredienser:



The wood batten



3D printed parts (you can print them by yourself or buy them in the SHOP)



The 3D parts are designed for a 8 mm diameter rod.



This piece will link the base of the StarTRACKER to the tripod. Apply some good glue to its base once placed.



This swivel allows us to point with the camera any object in the sky



The **core** of this device. This PCB will control the stepper motor. Configurable for any DIY StarTRACKER via [Arduino CODE](#)



A NEMA17 stepper motor (40mm long)



8xAA batteries holder or an alternative 12V power supply

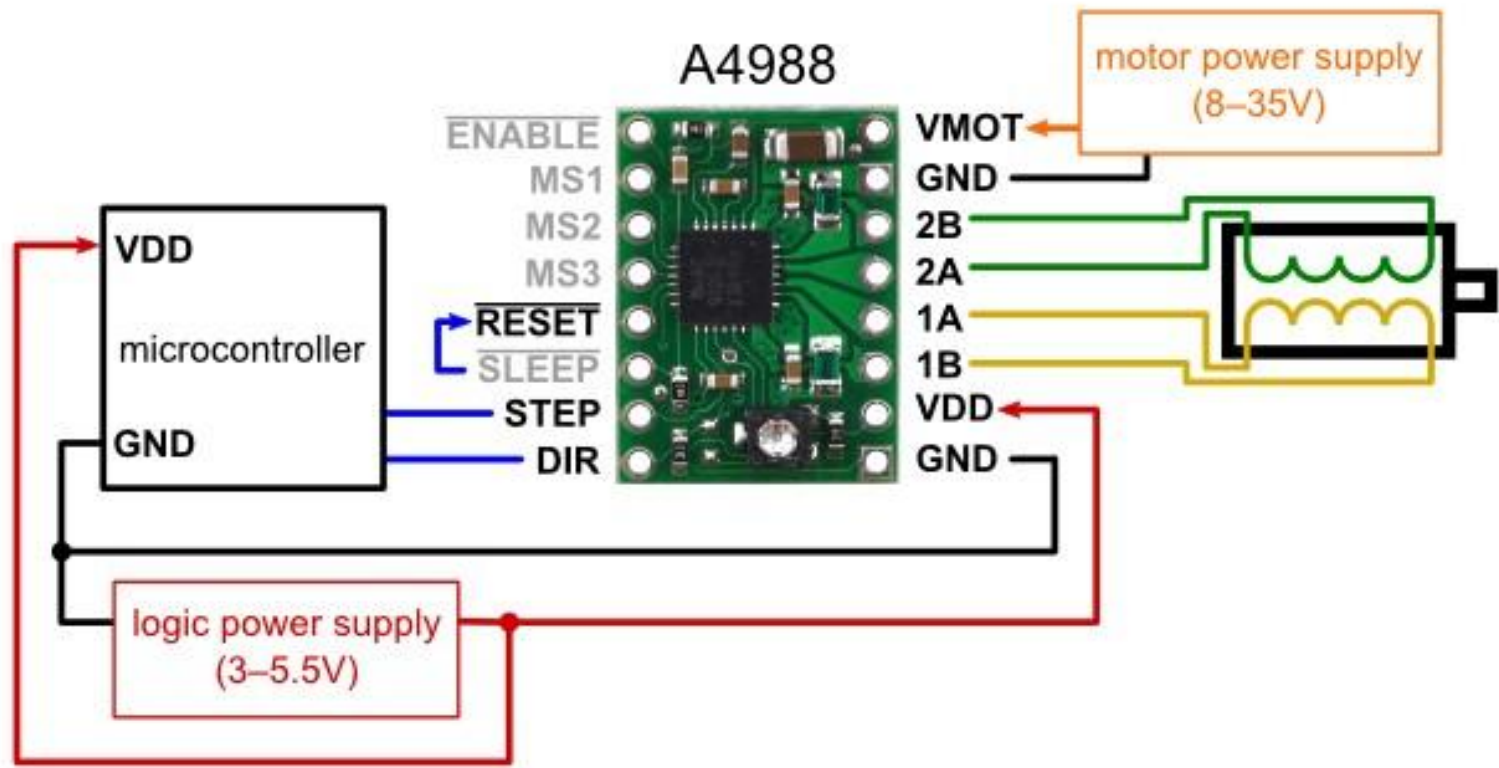


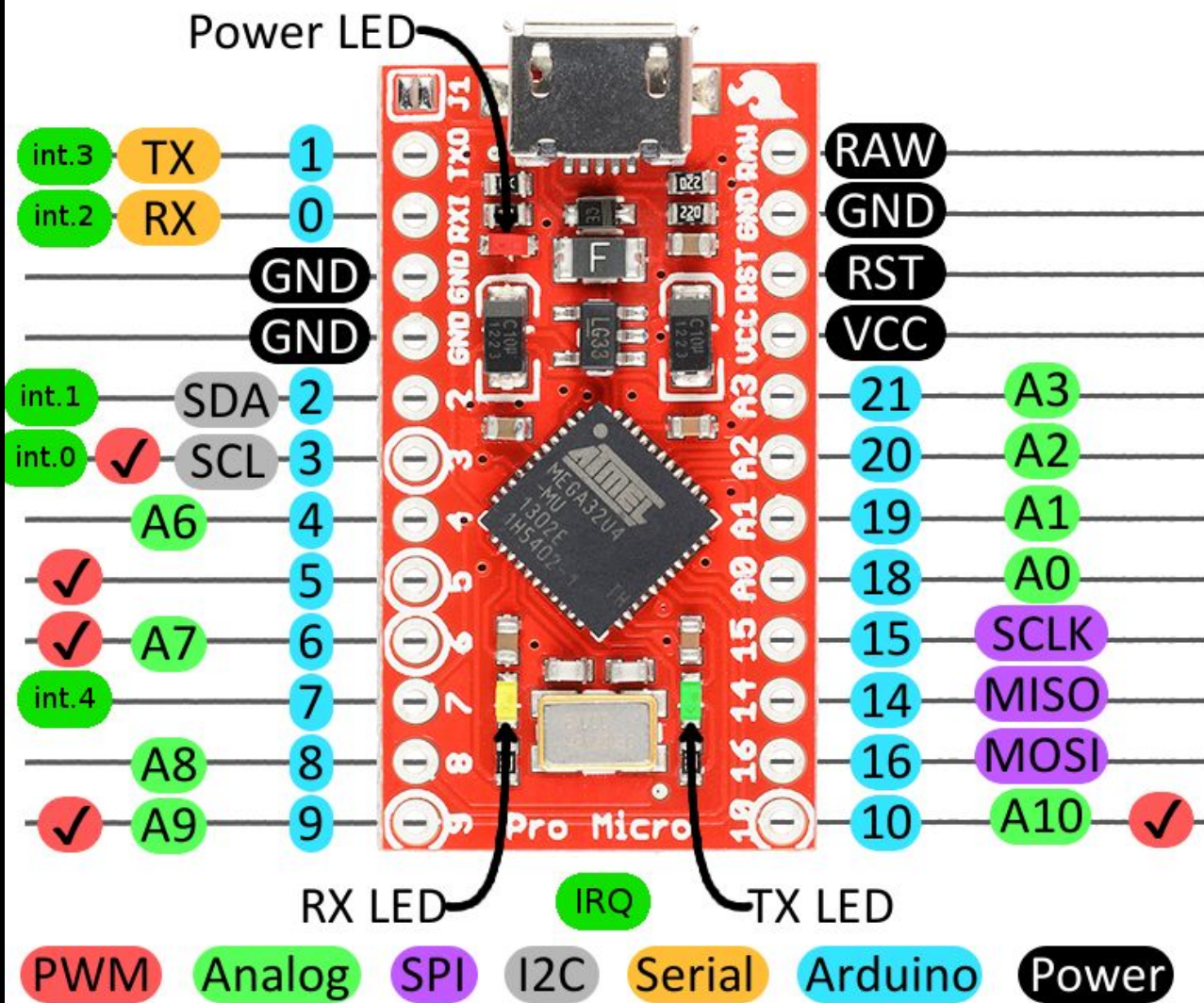
This coffee has to be HOT (not optional)

+Laser:

<http://www.dx.com/p/26888>

Stepper control made easy with the STEPSTICK:





Code?

[Alt+tab] you idiot!

Resultater:

Resultater:

Resultater:

